



BrikStar CS

hydraulic briquetting presses

The briquetting option
for dedusters and
small filter systems



HÖCKER[®]
POLYTECHNIK

Always one idea ahead

BrikStar CS - compact and strong.
A real power pack under your filter installation.

BrikStar CS

**BrikStar
CS**

hydraulic
briquetting presses

The briquetting option
for dedusters and
small filter systems

Concentration on the substantial

Our small and compact range of BrikStar CS are perfectly made for crafts enterprises or industries with low quantities of pressed material. All types of this series are delivered compact and ready to use (plug-in) as a complete press with frame mode construction and integrated hydraulic – for an extremely competitive cost-benefit ratio.

Slender technique

The agitator and screw feeder are solidly built; each is driven by its own gear motor to ensure maximum reliability. The PLC controller with user-friendly display includes an hour of operation counter and briquette counter as well as briquette length control as standard equipment. An integrated start/stop sensor prevents unnecessary operating time. The briquette length and throughput vary according to the base material, while the solidity of the briquettes stays consistent.

Varying accessories

If you want to install your briquetting line outdoors, we supply sturdy weather protection cladding and hydraulic system filling with artic oil as special accessories. The optional oil cooler (CSx-09/09 and CSx-15/09) is recommended for continuous operation without breaks.

Due to their compact design the whole range of BrikStar CS can easily be refitted under almost any filter installation as they were especially constructed to be installed under a deduster or filter installation according to DIN EN 12779.





The briquette bunker is well filled.
Thermal use of the briquettes minimises heating costs.

HÖCKER®
POLYTECHNIK

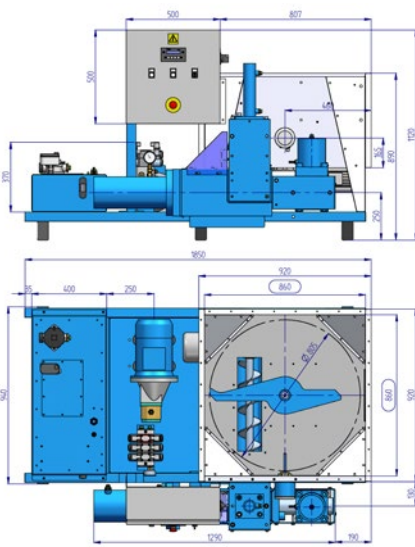
Concentrated advantages

- Universal in combination with Vacumobile, MultiStar filter systems and third-party makes
- Complete plug-in briquetting press including hydraulic aggregate → reduces installation costs
- Real PLC (programmable logic controller) → flexible technique, quick start up
- Briquette diameter = Ø 65 mm → ideal for transport and storage
- Solidly built connecting flange for transport chute → dimensioned for long distances as well
- Hopper with motorised agitator and a screw feeder that pre-compresses the material, with deflector plates in the corners → the hopper is emptied reliably and bridging is prevented
- Main briquetting cylinder generously dimensioned → outstanding briquette quality even for those materials difficult to briquette
- Low noise hydraulic with vibration damper → absorbs operation sound
- Hydraulic pressing tongs in a very sturdy design with electronically controlled automatic briquette length control → minimise operating costs and ensure briquettes of top quality

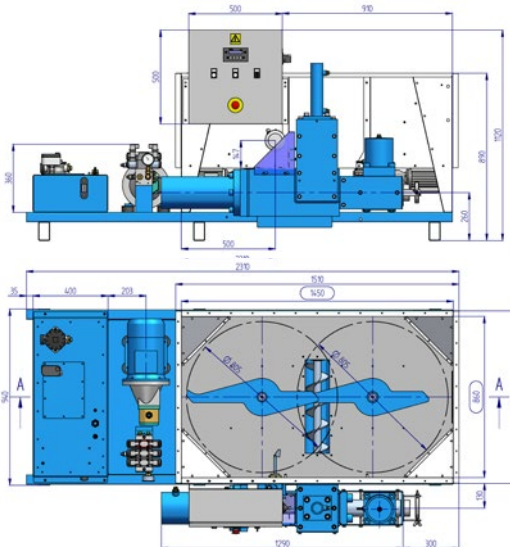
The illustrations show special equipment



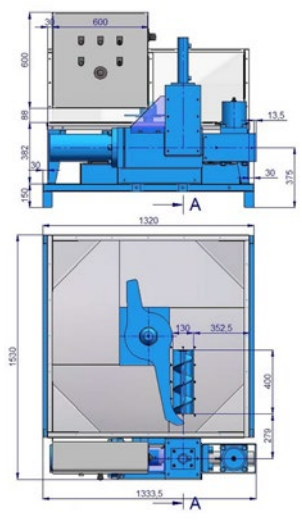
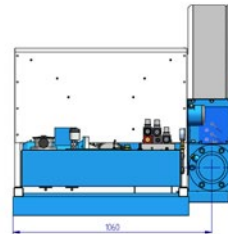
Technical Data



CSx-09/09 (LR)



CSx-15/09 (LR)



CSx-12 (R)

Typ	Agitato(s)	Output (material dependant)	Motor * hydraulic (kW)	Motor * agitator (kW)	Motor * screw (kW)	Weight	Height of hopper	Container dimensions WxLxH	Capacity of hopper	Briquette diameter
BrikStar CS3-09/09	1	25 - 50 kg/h	3	0,18	0,75	ca. 660 kg	890 mm	860x860x480 mm	ca. 0,35 m ³	65 mm
BrikStar CS4-09/09	1	35 - 75 kg/h	4	0,18	0,75	ca. 680 kg	890 mm	860x860x480 mm	ca. 0,35 m ³	65 mm
BrikStar CS3-15/09	2	25 - 50 kg/h	3	2x 0,18	0,75	ca. 700 kg	890 mm	1450x860x480 mm	ca. 0,60 m ³	65 mm
BrikStar CS4-15/09	2	35 - 75 kg/h	4	2x 0,18	0,75	ca. 720 kg	890 mm	1450x860x480 mm	ca. 0,60 m ³	65 mm
BrikStar CS5-15/09	2	40 - 100 kg/h	5,5	2x 0,18	0,75	ca. 740 kg	890 mm	1450x860x480 mm	ca. 0,60 m ³	65 mm
BrikStar CS7-15/09	2	60 - 130 kg/h	7,5	2x 0,18	0,75	ca. 760 kg	890 mm	1450x860x480 mm	ca. 0,60 m ³	65 mm
BrikStar CS3-12	1	20 - 40 kg/h	3	0,37	0,75	ca. 780 kg	990 mm	1200x1200x640 mm	ca. 0,70 m ³	65 mm
BrikStar CS4-12	1	30 - 60 kg/h	4	0,37	0,75	ca. 790 kg	990 mm	1200x1200x640 mm	ca. 0,70 m ³	65 mm

* Electrical motors require, 400V, 50 Hz; other frequencies or voltages are chargeable options

Chargeable options	CS3-09/09	CS4-09/09	CS3-15/09	CS4-15/09	CS5-15/09	CS7-15/09	CS3-12	CS4-12
Inspection door (optional with interlock guard switch, a tool is required for opening the door, in compliance with safety regulations)	<input type="checkbox"/>	<input type="checkbox"/>	<input type="checkbox"/>	<input type="checkbox"/>	<input type="checkbox"/>	<input type="checkbox"/>	<input type="checkbox"/>	<input type="checkbox"/>
Rotating paddle sensor as full level indicator	<input type="checkbox"/>	<input type="checkbox"/>	<input type="checkbox"/>	<input type="checkbox"/>	<input type="checkbox"/>	<input type="checkbox"/>	<input type="checkbox"/>	<input type="checkbox"/>
Chip auger (for chip material max. 10 mm/12 mm screen)	<input type="checkbox"/>	<input type="checkbox"/>	<input type="checkbox"/>	<input type="checkbox"/>	<input type="checkbox"/>	<input type="checkbox"/>	<input type="checkbox"/>	<input type="checkbox"/>
Left-hand version, briquettes move from right to left (note: larger footprint and extended delivery time)	<input type="checkbox"/>	<input type="checkbox"/>	<input type="checkbox"/>	<input type="checkbox"/>	<input type="checkbox"/>	<input type="checkbox"/>	<input type="checkbox"/>	<input type="checkbox"/>
Special version with hydraulics on the right (attention: extended delivery time)	<input type="checkbox"/>	<input type="checkbox"/>	<input type="checkbox"/>	<input type="checkbox"/>	<input type="checkbox"/>	<input type="checkbox"/>	-	-
Hydraulic system filling with arctic oil (for outdoor installation)	<input type="checkbox"/>	<input type="checkbox"/>	<input type="checkbox"/>	<input type="checkbox"/>	<input type="checkbox"/>	<input type="checkbox"/>	<input type="checkbox"/>	<input type="checkbox"/>
Separate oil cooler, for continuous operation	<input type="checkbox"/>	<input type="checkbox"/>	<input type="checkbox"/>	<input type="checkbox"/>	<input type="checkbox"/>	<input checked="" type="checkbox"/>	-	-
Discharge chute with adjustable spring retainer – on request	<input type="checkbox"/>	<input type="checkbox"/>	<input type="checkbox"/>	<input type="checkbox"/>	<input type="checkbox"/>	<input type="checkbox"/>	<input type="checkbox"/>	<input type="checkbox"/>
Cooling line (to improve the briquette quality with difficult materials)	<input type="checkbox"/>	<input type="checkbox"/>	<input type="checkbox"/>	<input type="checkbox"/>	<input type="checkbox"/>	<input type="checkbox"/>	<input type="checkbox"/>	<input type="checkbox"/>
MDF pressing tools (briquette diameter 55mm)	<input type="checkbox"/>	<input type="checkbox"/>	<input type="checkbox"/>	<input type="checkbox"/>	<input type="checkbox"/>	<input type="checkbox"/>	<input type="checkbox"/>	<input type="checkbox"/>
Other frequencies or voltages	<input type="checkbox"/>	<input type="checkbox"/>	<input type="checkbox"/>	<input type="checkbox"/>	<input type="checkbox"/>	<input type="checkbox"/>	<input type="checkbox"/>	<input type="checkbox"/>

No guarantee is given for the correctness of these details; specifications can be subject to change w/o notification.

● = Standard equipment ○ = chargeable option - = not available

HÖCKER POLYTECHNIK GmbH

Borgloher Straße 1 · 49176 Hilter · Germany

Fon + 49 (0) 5409 405 0 · Fax + 49 (0) 5409 405 555

www.hoecker-polytechnik.de · info@hpt.net

HÖCKER
POLYTECHNIK
Always one idea ahead